

# Problems of Selecting Protection for Shunt Reactors Working in Extra-High Voltage Grids

## Authors

Zbigniew Lubośny  
Jacek Klucznik  
Krzysztof Dobrzyński

## Keywords

shunt reactors, power system protection, reactive power compensation

## Abstract

This paper presents difficulties encountered when designing protection devices for shunt reactors connected directly to extra-high voltage grids. Using the example of the 400 kV Elk substation, it has been demonstrated that protection of a shunt reactor based on equipment using measurements of electrical signals from voltage and current transformers has its limitations and, in some cases, may be insufficient.

**DOI: 10.12736/issn.2300-3022.2016212**

## 1. Introduction

HV shunt reactors have been installed to compensate reactive power since the 1970s, originally in long HV lines. Currently, shunt reactors are used quite widely, both in overhead lines, and cable lines. In Poland, connecting shunt reactors directly to an HV grid is a novelty<sup>1</sup>, and the installation of three 400 kV reactors in Elk Bis substation has no precedence in the National Power System.

In last year a double-circuit 400 kV power transmission line has been built, which is meant as an energy bridge connecting the European system ENTSO-E (the Polish National Power System belongs to it) and the systems of Baltic States (Lithuania, Latvia and Estonia). This link employs a *back-to-back* converter system deployed in Alytus substation in Lithuania. Analysis of the line's performance has shown that it is necessary to use four line shunt reactors (DL-1 DL-4) installed on its two ends (Fig. 1), with rated power 50 MVAR on the side of station Elk Bis and 72 MVAR on Alytus substation side. Besides the shunt reactors directly connected to the line, an additional 50 MVAR bus reactor (Dsz) is installed at Elk Bis substation. This transmission system is designed to carry active power flow of  $\pm 500$  MW in the first stage of the project, and  $\pm 1000$  MW in the future.

The use of shunt reactors requires their proper protections with properly selected settings. Selection of the protections largely depends on the hazards to the shunt reactor's operation, which include:

- damage to insulators and short-circuit inside to the reactor's tank
- internal winding short-circuit interturn insulation fault

- process disturbances, e.g. low oil level, disruptions in cooling system, temperature increase.

Different types of devices are used for protection against the effects of these phenomena, comprising both electrical protections (based on measurement of currents and/or voltages) and non-electrical protections (e.g. temperature or pressure measurement). In selecting the protection system for a shunt reactor the disturbances inside the reactor should be considered, but also external disturbances (outside the reactor) and system interferences, which may affect it.

## 2. Shunt reactor protection solutions in the world

The authors [2] have taken note of differences in the protection of shunt reactors connected directly to substation buses (hereinafter referred to as bus shunt reactors) and those connected to lines (hereinafter referred to as line reactors).

According to a survey conducted by the reporting team, the most commonly used bus shunt reactor protections are:

- differential protection (phase) (87R)
- restricted earth fault protection (differential) covering shunt reactor's neutral point (87N)
- instantaneous overcurrent protection (50)
- time delayed overcurrent protection (51)
- time delayed earth fault overcurrent protection (51N)
- distance protection (21)
- earth fault protection (between tank and earth)
- breaker failure protection (51BF)

<sup>1</sup> So far, shunt reactors were connected to the national system's transmission grid through transformers' third winding and operated at rated voltage 30 kV.

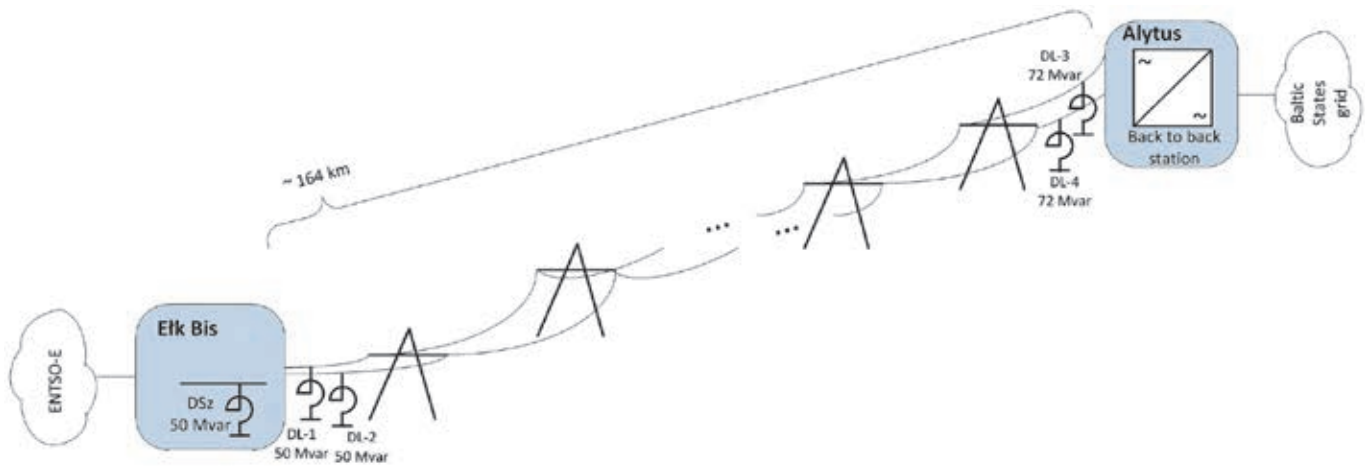


Fig. 1. General diagram of the Elk Bis - Alytus double circuit 400 kV power line

- interturn insulation fault protection (different solutions)
- off phase circuit breaker opening protection
- Buchholz protection, from sudden pressure increase (63).

No typical solutions for line shunt reactors are presented in the referenced document [2, 3]. It may be assumed that the proposed solutions are the same as for bus shunt reactors. The only differences may be due to a shunt reactor's connection to the line type, and circuit breaker control way.

The main differences in approach to line shunt reactor protection in comparison with bus reactors may be due to the following reasons:

- Teleprotections (communication with circuit breakers on the second end of the line) are often required, depending on the shunt reactor connection
- Protection performance may be affected by oscillations arising after switching off the line (oscillations in LC system between shunt reactor inductance and line capacitance)
- Often, in order to reduce the secondary arc current and recovery voltage, an additional arc-suppression coil is used, which requires dedicated protections.

The method of shunt reactor to line connection determines how the reactor's protections interoperate with breakers (including line circuit breakers). The following cases may be distinguished (Fig. 2):

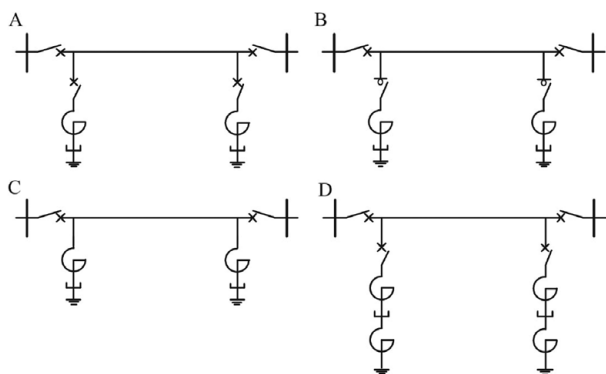


Fig. 2. Typical line shunt reactor connection ways: a) through breaker, b) through disconnector, c) permanent, d) through breaker with additional arc-suppression coil [2]

**Shunt reactors with breakers** (the solution adopted in the station Elk Bis). Under normal operating conditions of the system the shunt reactor protections only open the reactor breaker. The line after the shunt reactor protection's tripping may remain switched on. Line protections do not normally interact with shunt reactor breakers. Pick up of a breaker failure protection (51BF) must cause local opening of the line circuit breaker and send a signal to remotely trigger the circuit breaker opening at the other end of the line.

**Shunt reactors with disconnectors.** In this case the protection operating logic depends on the disconnector's breaking capacity. Some disturbances (at relatively small current in the disconnector) can be disconnected with the shunt reactor disconnector, while high-current disturbances must be disconnected by switching the line off on both ends. In this case, it is necessary to provide a communication channel, often double for reliability reasons. With this solution the line may be provided with automatic reclosing and the failed shunt reactor may be disconnected by the disconnector during the dead time.

**Shunt reactors permanently connected to line.** In this case, each pick-up of shunt reactor protection must result in switching off the line at both ends. Such a system requires a double communication channel.

**Shunt reactors with an arc-suppression coil connected in the neutral point, and with breakers.** The logic of linking protections with breakers is the same as in case A. An arc-suppression coil that reduces the secondary arc current is quite difficult to protect, because in normal operation the current in it is negligible small (due to the system and voltage asymmetry).

The document prepared by IEEE [3] provides much more general recommendations and information on shunt reactor protection. The IEEE and CIGRE recommendations are compared in Tab. 1.

### 3. Shunt Reactor protection at Etk Bis substation

At Elk Bis substation the line shunt reactors and bus reactor are protected by the same devices:

- a) main protection:
  - first differential protection, type: Siemens 7UT63, functionality:

differential (87R), differential and earth fault (87N) and negative sequence overcurrent (46) (interturn insulation fault protection)

- earth fault directional protection, type: Siemens 7SJ64, functionality: earth fault overcurrent directional (67N)
- b) backup protections:
  - second differential protection, type: Schneider Electric P633, functionality: differential (87)
  - overcurrent protection, type: Siemens 7SJ64, functionality: instantaneous overcurrent (50) and time delayed overcurrent (51)
- c) additional protections:
  - overcurrent protection at neutral, type: Siemens 7SJ64, functionality: time delayed overcurrent (51N), negative sequence directional overcurrent (67Q).

In addition, each shunt reactor is provided with non-electrical protections, which include:

- Buchholz protection (two-stage)
- two relief valves
- cut-off flap valve
- oil level sensor
- oil temperature sensor
- winding temperature sensor (thermal model).

#### 4. Interturn insulation fault detection

The following are considerations for interturn insulation fault detection. We've chosen this topic because detection of these faults in shunt reactors is very difficult. Our analyses indicate that the location of the first defective turn does not affect the voltages and currents of shunt reactor, and thus has no effect on the sensitivity of the interturn insulation fault protections. The sensitivity will depend on the number of shorted turns only. The impact of the shorted turns number on some values is shown in Fig. 3–6. The analysis was limited to the characteristics obtained for the faulted turn numbers from 0 (normal operation, no short-circuit) to 30% of all turns, by increments of 1%. More than 30% was not analysed as an unlikely condition that hinders the protection sensitivity analysis for a small number of shorted turns. The drawings represent the condition whereby the first shorted turn is located at 20% of the shunt reactor winding length (from HV insulators, in phase A). The drawings show the values monitored in a failed shunt reactor, to enable conclusions on the signals that can be used for interturn insulation fault detection.

Analysis of the above drawings leads to the following observations:

- At interturn insulation fault the current in one phase increases. This increase is small relative to the rated current. The curve in Fig. 3 shows that at the short-circuit covering 10% of the turns the current increases by approx. 10 A, i.e. ca. 14% of the shunt reactor's rated current. Potentially, this allows the interturn insulation fault's detection, but if the turns are few, it may go unnoticed. It is estimated that the protection can detect a interturn insulation fault if at least 10% of turns are shorted.
- There is a relatively strong correlation between the number of shorted turns and the symmetrical component currents.

Protection	Symbol	CIGRE recommendations	IEEE recommendations
Basic	87R	yes	yes
	87N	yes	yes
	46	no	yes
	67N	no*	yes
	Techn.	yes	yes
Backup	50	yes	yes
	51DT	yes	yes
	87R	yes	yes
Additional	51N/67Q	no	yes

\* CIGRE recommends non-directional protection 51N

Tab. 1. IEEE and CIGRE recommendations for HV reactor protection

The curves in Fig. 4 show that, for example, with 5% of turns shorted the zero sequence current increases to approx. 3 A (six times the normal value). With 2% shorted turns the current increases to double the normal value. Even if the zero sequence current criterion cannot detect single shorted turn, yet it enables detection of 2% and more turns shorted. The solution's disadvantage is the difficulty in measuring small zero sequence currents with typical current transformers (where the current transformer's rating is much higher than the shunt reactor's). In addition, for such a solution it is necessary to introduce delay in order to detune from external faults outside the shunt reactor, at which the zero-sequence will rise high.

- The interturn insulation fault's clear impact is also seen in the zero sequence current's direction flow (Fig. 5); nevertheless, the criterion of zero sequence overcurrent with directional lock applied here does not detect individual shorted turns either. Another issue (besides the aforementioned small currents' measurement) is how to obtain a component voltage appropriate to polarise the protection's directional element. The zero or negative sequence voltages at interturn insulation fault may be insufficient here (Fig. 6).

The results verify the difficulty, referred to in the CIGRE and IEEE recommendations, in detecting the interturn insulation fault in shunt reactors by electric methods, i.e. based on voltage and current measurements. None of the indicated methods are able to detect faults on the single turn level. Potentially the best of the analysed methods – the directional overcurrent – detect faults at the level of 1% of the shunt reactor impedance, which for a typical reactor translates to more than 30 turns. Moreover, due to the current and voltage transformers' ratios and the limits of the protection devices' settings (e.g. due to A/D converter resolution and accuracy of calculation-decision algorithms), the actual number of unprotected turns will be much greater. The results and the negative assessment of the phase to phase fault protections' performance are verified by publications and recommendations that indicate the difficulties in interturn insulation fault

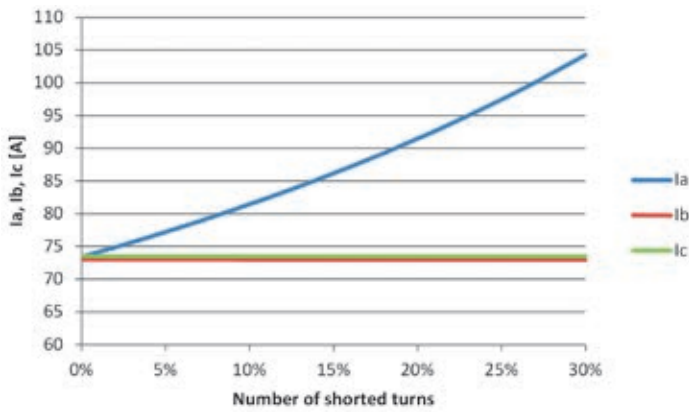


Fig. 3. Phase currents in shunt reactor with interturn insulation fault in phase A

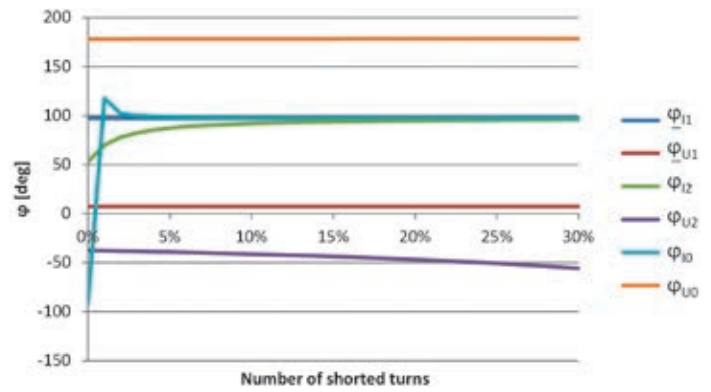


Fig. 5. Symmetrical component phase angles in shunt reactor with interturn insulation fault in phase A

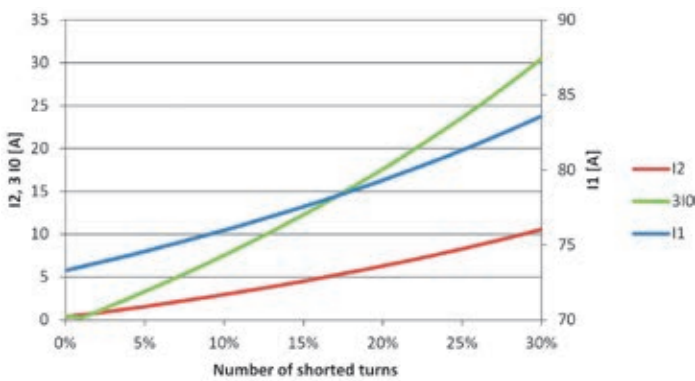


Fig. 4. Symmetrical component currents in shunt reactor with interturn insulation fault in phase A

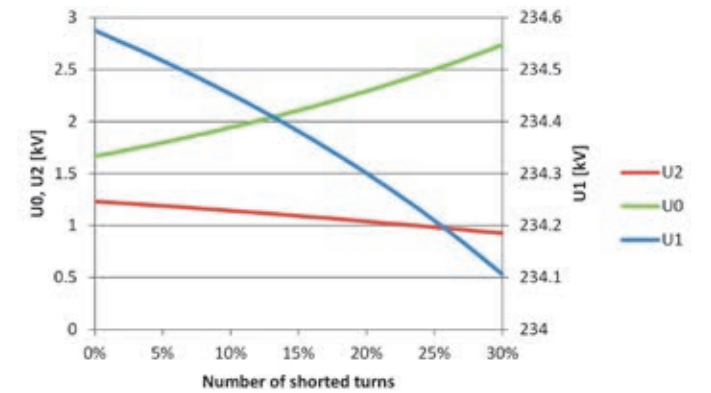


Fig. 6. Symmetrical component voltages in shunt reactor with interturn insulation fault in phase A

detection, which often can be accomplished by non-electrical protections only.

## 5. Recommended shunt reactor protection settings and functional parameters

It may be observed on the basis of our performance analysis of the shunt reactor protections proposed for 50 MVAR units and installed in Elk Bis substation [1] that the selection of such shunt reactor protection settings, which provide detection of all types of faults and omit external faults, is neither easy nor guided by any universal principles.

Nevertheless, the following general recommendations may be formulated:

1. For shunt reactor protection from the effects of internal faults, i.e. short-circuits to the tank, the following measures are recommended:
  - a) differential protection
  - b) earth-fault differential protection
  - c) earth fault directional protection (backup protection ensuring partial protection of some turns)
  - d) non-electrical protections: gas/flow (Buccholtz) relay, and protection from excessive tank pressure
2. For shunt reactor protection from the effects of internal faults, i.e. interturn insulation faults, the following measures are recommended:

- a) overcurrent protection measuring phase currents, or zero sequence phase currents, or negative sequence phase currents, or earth current (for shunt reactors with the neutral earthed directly or through an arc-suppression coil). To ensure selectivity, these protections may be implemented as directional. The solution choice must always be supported by model studies, because depending on the connection location (grid conditions) part of these criteria will be useless (due to low sensitivity)

- b) non-electrical protections: gas/flow (Buccholtz) relay, and protection from excessive tank pressure
3. For shunt reactor protection from the effects of external faults (on insulators, in shunt reactor's power supply) the following measures are recommended:

- a) differential protection covering insulators
- b) two-stage overcurrent protection (time delayed and instantaneous). These protections also constitute a backup in the cases of short-circuits to tank closer to the winding beginning (as seen from HV insulators).

In addition, it can be stated that:

- settings may be selected for the differential protection and overcurrent protections based on the shunt reactor ratings (power, voltage, current)
- selection of the type and settings of a protection from interturn insulation fault requires model studies

- due to the shunt reactor's high reactance and relatively small resistance its time constant is quite large<sup>2</sup>, which means that the switching processes are characterized by a slow fading direct component. To avoid a protection's unnecessary tripping (without extending its delay or increasing its current setting), the protections should be applied that are based on the fundamental (50 Hz) current component's measurement.

## 6. Summary

To summarize the above considerations, in general, it should be stated that the proposed concept of line and bus shunt reactors' protection devices is correct and complete. At the same time this concept is in line with global trends and recommendations.

Selectivity of a shunt reactor's automatic protection depends on many factors, including:

- parameters of the object (shunt reactor), and parameters and configuration of the grid adjacent
- locations and rated ratios of the protection, current, and voltage transformers,
- type of protection relays, in terms of the setpoint ranges
- expected concept of, or requirements for, the elimination of disturbances in the adjacent network components, e.g. the requirements for elimination of short-circuits in power lines, and application of single-phase or three-phase automatic reclosing.

It should be emphasized, and it also follows from the above considerations, that the complexity of phenomena and the number of factors affecting the effectiveness and reliability of shunt reactors' protection devices leads to the conclusion that analysis of this type should be an analysis of the case and should therefore be carried out independently for each object of that type.

## REFERENCES

1. Z. Lubośny, J. Klucznik, K. Dobrzyński, "Analiza techniczna pracy dławików kompensacyjnych projektowanej stacji 400/110 kV Elk bis" [Technical analysis of the performance of compensation reactors in the proposed Elk Bis 400/110 kV substation], report commissioned by Elfeko S.A., Gdańsk 2013.
2. CIGRE Working Group B5.37, Protection, Monitoring and Control of Shunt Reactors, 2013.
3. IEEE Power Engineering Society, IEEE Guide for the Protection of Shunt Reactors, 2007.
4. F.K. Basha, M. Thompson, "Practical EHV Reactor Protection", 68<sup>th</sup> Conference for Protective Relay Engineers, Texas A&M University, USA 2013.
5. Z. Gajic, B. Hillström, F. Mekić, "HV Shunt Reactor Secrets for Protection Engineers", 30<sup>th</sup> Western Protective Relaying Conference, Washington, USA 2003.
6. "Zasady doboru i nastawiania zabezpieczeń elementów systemu elektroenergetycznego wysokiego napięcia" [Rules for selection and setting of protections of power system's HV components], edited by Jan Machowski, Biblioteka Operatora Systemu Przesyłowego, Warszawa 2010.
7. J. Klucznik et al., "Nonlinear secondary arc model use for evaluation of single pole auto-reclosing effectiveness", *COMPEL*, Vol. 34, No. 3, 2015.

### Zbigniew Lubośny

Gdańsk University of Technology  
 e-mail: z.lubosny@ely.pg.gda.pl

Graduated from Gdańsk University of Technology. A professor of engineering since 2004. Currently a full professor at Gdańsk University of Technology. His areas of interest include mathematical modelling, power system stability, power system control, artificial intelligence application in power system control, and modelling and control of wind turbines.

### Jacek Klucznik

Gdańsk University of Technology  
 e-mail: j.klucznik@eia.pg.gda.pl

Graduated as Master of Engineering from the Faculty of Electrical and Control Engineering at Gdańsk University of Technology (1999). Five years later he obtained his Ph.D. An assistant professor at the Power Engineering Department of his alma mater. His areas of interest include control systems for generators and turbines, wind power generation, and power system automatic protections.

### Krzysztof Dobrzyński

Gdańsk University of Technology  
 e-mail: k.dobrzynski@eia.pg.gda.pl

Graduated from the Faculty of Electrical Engineering of Warsaw University of Technology in 1999. In 2012 he obtained PhD degree at the Faculty of Electrical and Control Engineering of Gdańsk University of Technology. An assistant professor at the Power Engineering Department of Gdańsk University of Technology. His areas of interest include cooperation of distributed generation sources with the power system, mathematical modelling, power system control, and intelligent systems in buildings.

<sup>2</sup>The analysed shunt reactors' time constant is approx. 1.1 sec.

This is a supporting translation of the original text published in this issue of "Acta Energetica" on pages 139–143. When referring to the article please refer to the original text.

PL

## Problematyka doboru zabezpieczeń dławików kompensacyjnych pracujących w sieciach najwyższych napięć

### Autorzy

Zbigniew Lubośny  
Jacek Klucznik  
Krzysztof Dobrzyński

### Słowa kluczowe

dławiki kompensacyjne, elektroenergetyczna automatyka zabezpieczeniowa, kompensacja mocy biernej

### Streszczenie

W artykule przedstawiono trudności, jakie napotyka się podczas projektowania systemu zabezpieczeń dla dławików przyłączanych bezpośrednio do sieci najwyższych napięć (NN). Bazując na przykładzie budowanej aktualnie stacji 400 kV Elk Bis, pokazano, że możliwości zabezpieczenia dławika, oparte na układach EAZ wykorzystujących pomiary sygnałów elektrycznych z przekładników prądowych i napięciowych, mają swoje ograniczenia i w pewnych przypadkach mogą być niewystarczające.

### 1. Wstęp

Instalowanie dławików NN do kompensacji mocy biernej sięga lat 70. XX wieku, kiedy to dla dłuższych linii NN zauważono konieczność kompensacji mocy biernej. Obecnie na świecie dławiki stosowane są dość powszechnie, zarówno w liniach napowietrznych, jak i w liniach kablowych. W Polsce dławiki przyłączane bezpośrednio do sieci NN są nowością<sup>1</sup>, a instalacja trzech dławików o napięciu znamionowym 400 kV w stacji Elk Bis jest dla krajowego systemu pionierska.

Aktualnie budowana jest dwutorowa linia elektroenergetyczna wysokiego napięcia 400 kV, mająca stanowić most energetyczny łączący system europejski ENTSO-E (w którego ramach pracuje KSE) oraz systemy krajów bałtyckich (Litwy, Łotwy i Estonii). Połączenie to realizowane jest z wykorzystaniem układu przekształtnikowego *back-to-back*, znajdującego się w stacji Alytus na terenie Litwy. Analizy pracy tej linii wykazały, że konieczne jest zastosowanie czterech dławików liniowych (DL-1–DL-4) zainstalowanych na dwóch końcach linii (rys. 1) o mocach 50 Mvar po stronie stacji Elk Bis i 72 Mvar po stronie stacji Alytus. Oprócz dławików przyłączonych bezpośrednio do linii, w stacji Elk Bis zostanie zainstalowany dodatkowy dławik szynowy (DSz) o mocy 50 Mvar. Opisany układ przesyłowy ma zapewnić przepływ mocy czynnej na poziomie  $\pm 500$  MW w pierwszym etapie pracy, a w przyszłości planowane jest przesyłanie mocy na poziomie  $\pm 1000$  MW.

Zastosowanie dławików kompensacyjnych wiąże się z koniecznością ich odpowiedniego zabezpieczenia oraz doboru nastawień tych zabezpieczeń. Dobór zestawu zabezpieczeń w głównej mierze wynika z zagrożeń w pracy dławika, do których należy zaliczyć:

- uszkodzenia izolatorów i zwarcia wewnętrzne do kadzi
- zwarcia wewnętrzne międzyzwojowe

- zakłócenia technologiczne, m.in. niski poziom oleju, zakłócenia w układzie chłodzenia, wzrost temperatury.

Do ochrony od skutków powyższych zjawisk stosuje się różne typy zabezpieczeń, obejmujące zarówno zabezpieczenia elektryczne (bazujące na pomiarze prądów i/lub napięć), jak i nieelektryczne (np. pomiar ciśnienia czy temperatury). Dobierając system zabezpieczeń dla dławika, należy brać pod uwagę zakłócenia występujące w dławiku, ale także należy mieć na uwadze zakłócenia zewnętrzne (poza dławikiem) oraz zakłócenia systemowe, które mogą wpływać na pracę dławika.

### 2. Rozwiązania stosowane na świecie do zabezpieczania dławików bocznikowych

Autorzy [2] zauważają różnice w sposobie zabezpieczania dławików przyłączonych bezpośrednio do szyn stacji (nazywanych dalej dławikami szynowymi) i dławików przyłączonych do linii (nazywanych dalej dławikami liniowymi). Zgodnie z ankietą przeprowadzoną przez zespół przygotowujący raport, najczęściej stosowanymi zabezpieczeniami dławików szynowych są:

- zabezpieczenie różnicowe (fazowe) (87R)
- zabezpieczenie różnicowe obejmujące punkt neutralny dławika (87N)
- zabezpieczenie nadprądowe bezzwłoczne (50)
- zabezpieczenie nadprądowe zwłoczne (51)
- zabezpieczenie nadprądowe ziemnozwarciowe zwłoczne (51N)
- zabezpieczenie odległościowe (21)
- zabezpieczenie ziemnozwarciowe (pomiędzy kadzią a ziemią)
- zabezpieczenie od uszkodzenia wyłącznika (51BF)
- zabezpieczenie od zwarc międzyzwojowych (różne rozwiązania)
- zabezpieczenie od niepełnofazowego otwarcia wyłącznika
- zabezpieczenie Buchholza, zabezpieczenie od nagłego wzrostu ciśnienia (63).

W przytaczanym dokumencie nie podano typowych rozwiązań dla dławików liniowych. Można założyć, że proponowane rozwiązania są takie same jak dla dławików szynowych. Jedyne różnice mogą wynikać ze sposobu przyłączenia dławików do linii i sposobu sterowania wyłącznikami.

Najważniejsze różnice w podejściu do zabezpieczenia dławików liniowych w porównaniu z dławikami szynowymi mogą wynikać z następujących przyczyn:

- Często wymagane jest stosowanie zabezpieczeń (komunikacja z wyłącznikami na drugim końcu linii), uzależnione od sposobu przyłączenia dławika
- Na działanie zabezpieczeń mogą mieć wpływ oscylacje powstające po wyłączeniu linii (oscylacje występują w układzie LC pomiędzy indukcyjnością dławików a pojemnością linii)

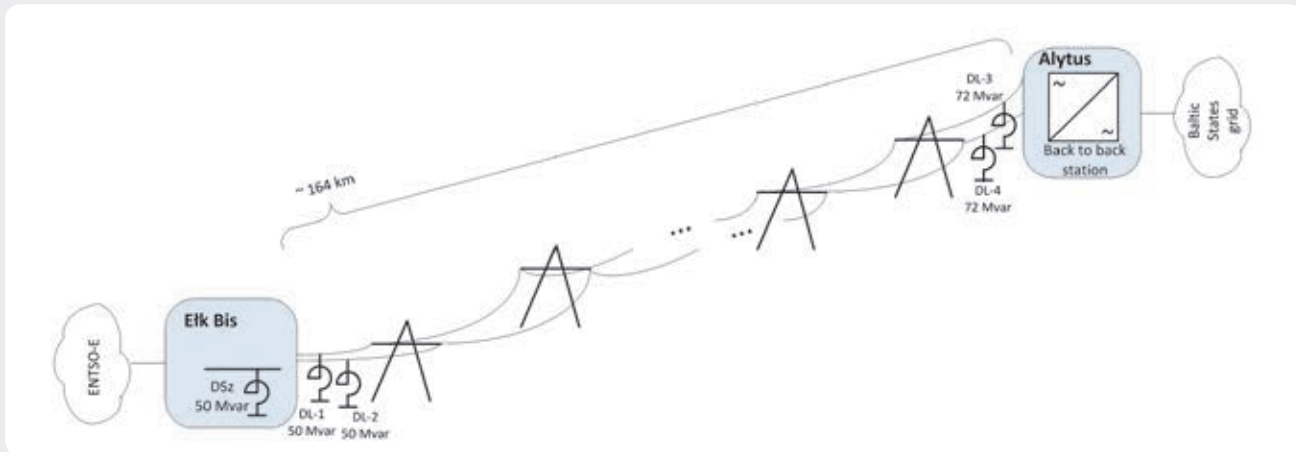
- Często, w celu ograniczenia prądu łuku wtórnego i napięcia powrotnego, stosuje się dodatkowy dławik gaszący, wymagający stosowania osobnych zabezpieczeń.

Sposoby przyłączenia dławika do linii decydują o sposobie współpracy zabezpieczeń dławika z wyłącznikami (w tym również liniowymi). Można wyróżnić następujące przypadki (rys. 2):

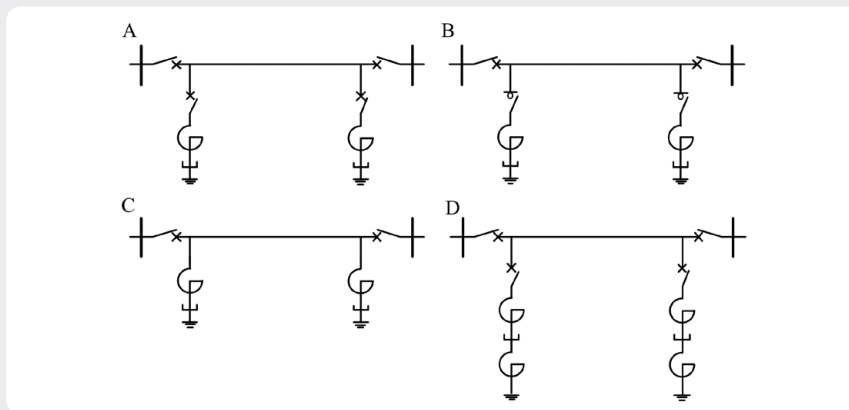
**A. Dławiki z wyłącznikami** (rozwiązanie przyjęte w stacji Elk Bis). W normalnych stanach pracy układu zabezpieczenia dławika działają tylko na otwarcie wyłącznika dławika. Linia po zadziałaniu zabezpieczeń dławików może pozostać zamknięta. Zabezpieczenia linii normalnie nie oddziałują na wyłączniki dławików. Pobudzenie zabezpieczenia od uszkodzenia wyłącznika dławika (51BF) musi powodować lokalne otwarcie wyłącznika linii i wysłanie sygnału na zdalne otwarcie wyłącznika na drugim końcu linii.

**B. Dławiki z rozłącznikami**. Logika działania zabezpieczeń zależy w tym przypadku od zdolności wyłączania prądów

<sup>1</sup> Dotychczas dławiki przyłączane do sieci przesyłowej KSE dołączane były poprzez trzecie uzwojenie autotransformatorów i pracowały przy napięciu znamionowym 30 kV.



Rys. 1. Schemat ogólny dwutorowej linii elektroenergetycznej 400 kV Elk Bis – Alytus



Rys. 2. Typowe sposoby przyłączenia dławików liniowych: a) dławiki przyłączone przez wyłączniki, b) dławiki przyłączone przez rozłączniki, c) dławiki przyłączone na stałe, d) dławiki przyłączone przez wyłączniki, z dodatkowym dławikiem gaszącym [2]

**C. Dławiki przyłączone na stałe do linii.**

W takim przypadku każde pobudzenie zabezpieczeń dławika musi skutkować obustronnym wyłączeniem linii. Układ wymaga zapewnienia zdublowanego kanału komunikacyjnego.

**D. Dławiki z przyłączonym dławikiem gaszącym w punkcie neutralnym,** wyposażone w wyłączniki. Logika powiązania zabezpieczeń z wyłącznikami jest taka jak w przypadku A. Dławik gaszący zapewniający ograniczenie prądu łuku wtórnego jest dość kłopotliwy do zabezpieczenia, ponieważ w normalnym stanie pracy prąd przez niego płynący jest znikomy (wynika z niesymetrii układu i niesymetrii napięć).

Z kolei dokument przygotowany przez IEEE [3] daje dużo ogólniejsze zalecenia i informacje dotyczące zabezpieczania dławików. Porównanie zaleceń IEEE i CIGRE przedstawiono w tab. 1.

**3. Przyjęta koncepcja dla zabezpieczenia dławików w stacji Elk Bis**

W stacji Elk Bis dla zabezpieczenia dławików liniowych i dławika szynowego przyjęto taki sam zestaw zabezpieczeń elektrycznych, w którego skład wchodzi:

- zabezpieczenia główne:
  - pierwsze zabezpieczenie różnicowe typu 7UT63 firmy Siemens realizujące funkcje: różnicową (87R), różnicową ziemnozwarciową (87N) oraz nadprądową składowej przeciwnej (46) (zabezpieczenie od zwarc międzyzwojowych)
  - zabezpieczenie ziemnozwarciowe kierunkowe typu 7SJ64 firmy Siemens, realizujące funkcję nadprądową ziemnozwarciową kierunkową (67N)
- zabezpieczenia rezerwowe:
  - drugie zabezpieczenie różnicowe typu P633 firmy Schneider Electric, realizujące funkcję różnicową (87)
  - zabezpieczenie nadprądowe typu 7SJ64 firmy Siemens, realizujące funkcje: nadprądową bezzwłoczną (50) oraz nadprądową zwłoczną (51DT)
- zabezpieczenia dodatkowe:
  - zabezpieczenie nadprądowe w punkcie zerowym typu 7SJ64 firmy Siemens, realizujące funkcje: nadprądową zwłoczną (51N), nadprądową kierunkową składowej przeciwnej (67Q).

Zestaw zab.	Symbol	Zalecenia CIGRE	Zalecenia IEEE
Podstawowe	87R	tak	tak
	87N	tak	tak
	46	nie	tak
	67N	nie*	tak
	Techn.	tak	tak
Rezerwowe	50	tak	tak
	51DT	tak	tak
	87R	tak	tak
Dodatkowe	51N/67Q	nie	tak

\* CIGRE zaleca stosowanie zabezpieczenia bezkierunkowego 51N

Tab. 1. Porównanie proponowanych zabezpieczeń z zaleceniami IEEE i CIGRE

przez rozłącznik. Część zakłóceń (przy względnie małym prądzie płynącym przez rozłącznik) może być wyłączana rozłącznikiem dławika, podczas gdy zakłócenia wieloprądowe muszą być wyłączone poprzez obustronne wyłączenie linii. W takim przypadku

niezbędne jest zapewnienie kanału komunikacyjnego, często ze względu na niezawodnościowych – podwójnego. Przy takim rozwiązaniu można w linii stosować automatykę SPZ i wyłączać uszkodzony dławik rozłącznikiem w czasie przerwy beznapięciowej.

Ponadto każdy z dławików jest wyposażony w zabezpieczenia technologiczne, do których należy zaliczyć:

- przełącznik Buchholtza (dwustopniowy)
- dwa zawory ciśnieniowe
- zawór odcinający klapowy
- czujnik poziomu oleju
- czujnik temperatury oleju
- czujnik temperatury uzwojenia (model cieplny).

#### 4. Problematyka detekcji zwarcia międzyzwojowych

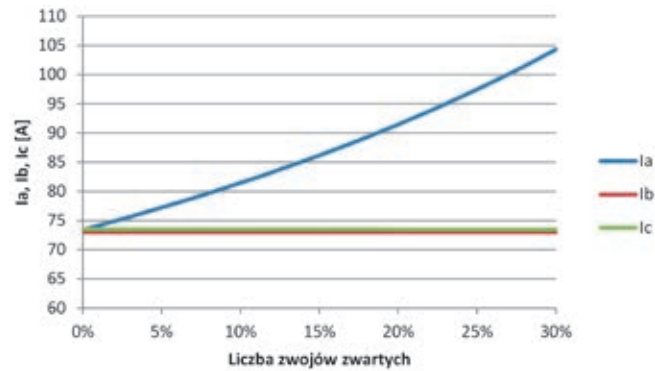
Poniżej zamieszczono rozważania dotyczące detekcji zwarcia międzyzwojowych. Autorzy wybrali to zagadnienie ze względu na dużą trudność w wykrywaniu tego typu zwarcia w dławikach.

Analizy przeprowadzone przez autorów wskazują, że lokalizacja pierwszego uszkodzonego zwoju nie ma wpływu na wartości napięć i prądów w układzie, a tym samym nie ma wpływu na czułość zabezpieczeń od zwarcia międzyzwojowych. Czułość ta będzie zależała jedynie od liczby zwartych zwojów.

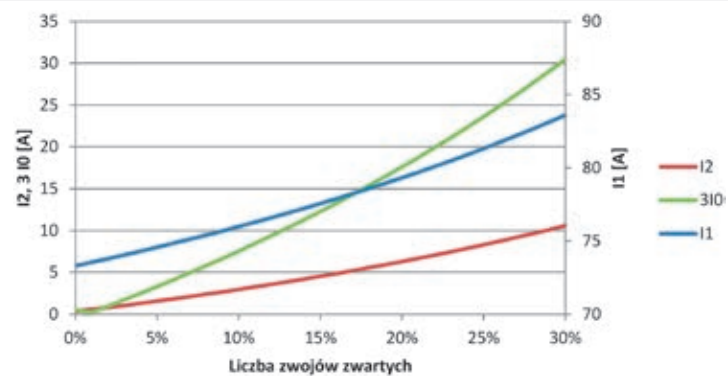
Wpływ liczby zwojów zwartych na charakterystyczne wielkości przedstawiono na rys. 3–6. W analizie ograniczono się do przedstawienia charakterystyk uzyskanych dla zakresu zwojów zwartych od 0 (co odpowiada normalnemu stanowi pracy, tj. bez zwarcia) do 30% liczby wszystkich zwojów, ze skokiem równym 1%. Nie pokazano wyników obliczeń dla większej liczby zwojów zwartych, zakładając, że jest to mało prawdopodobne, a jednocześnie utrudniające analizę czułości zabezpieczeń dla małej liczby zwojów zwartych. Rysunki przedstawiają stan dla uszkodzenia, gdzie pierwszy zwarty zwoj jest ulokowany w 20% długości uzwojenia dławika (licząc od strony izolatorów WN, w fazie A). Rysunki przedstawiają wielkości obserwowane dla dławika uszkodzonego, dając możliwość wnioskowania na temat sygnałów, jakie można wykorzystać podczas wykrywania zwarcia międzyzwojowych.

Analiza powyższych rysunków prowadzi do następujących obserwacji:

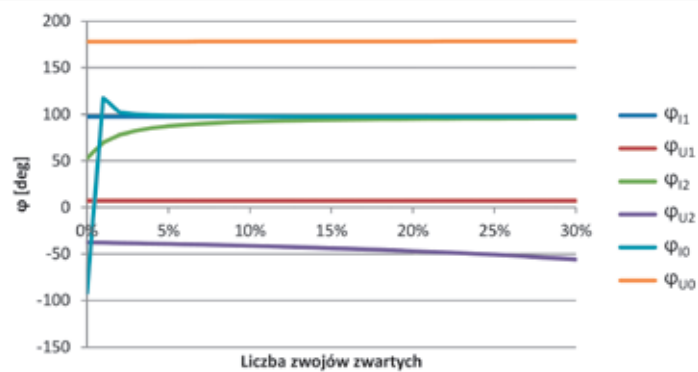
- Podczas zwarcia międzyzwojowego obserwuje się wzrost prądu płynącego w jednej fazie. Wzrost ten jest niewielki w stosunku do prądu znamionowego. Przedstawiona na rys. 3 krzywa pokazuje, że zwarcie obejmujące 10% zwojów prowadzi do wzrostu prądu o ok. 10 A, tj. o ok. 14% prądu znamionowego dławika. Potencjalnie pozwala to na wykrycie zwarcia międzyzwojowego, ale w przypadku małej liczby zwojów zwartych zwarcie pozostanie niezauważone. Szacuje się, że zabezpieczenie ma możliwość wykrywania zwarcia międzyzwojowych od powyżej 10% zwojów zwartych.
- Występuje relatywnie silny związek pomiędzy liczbą zwojów zwartych a wartościami składowych symetrycznych prądów. Przedstawione na rys. 4 krzywe pokazują, że np. zwarcie obejmujące 5% zwojów prowadzi do wzrostu prądu składowej zerowej do ok. 3 A (wartość sześciokrotnie większa niż w stanie normalnej pracy). Dla zwarcia obejmującego 2% zwojów wzrost tego prądu jest dwukrotnie w stosunku do wartości



Rys. 3. Wartości prądów fazowych w uszkodzonym dławiku dla zwarcia międzyzwojowego w fazie A



Rys. 4. Wartości prądów składowych symetrycznych w uszkodzonym dławiku dla zwarcia międzyzwojowego w fazie A



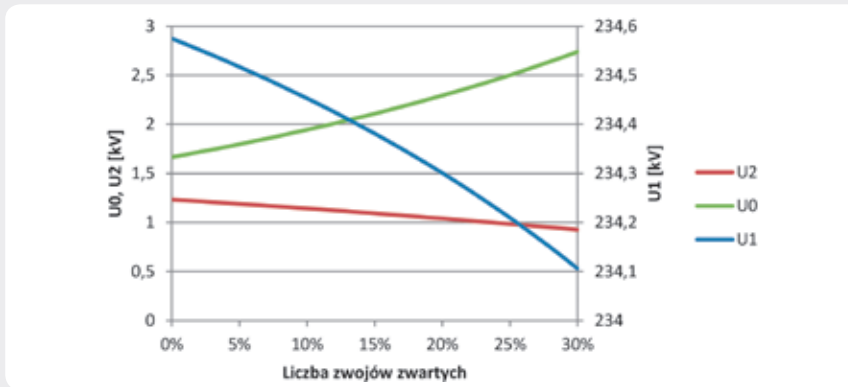
Rys. 5. Wartości kątów fazowych składowych symetrycznych uszkodzonego dławika dla zwarcia międzyzwojowego w fazie A

w normalnym stanie pracy. Kryterium oparte na pomiarze składowej zerowej prądu nie umożliwia, co prawda, wykrywania zwarcia pojedynczych zwojów, ale daje możliwość wykrywania zwarcia międzyzwojowych od 2% zwojów zwartych. Wadami tego rozwiązania jest trudność w pomiarze małych prądów składowej zerowej przy stosowaniu typowych przekładników prądowych (gdzie prądy znamionowe przekładnika są znacznie większe od znamionowych prądów dławika). Ponadto, przy wykorzystaniu takiego rozwiązania, konieczne

jest wprowadzanie zwłoki czasowej w celu odstrojenia się od zwarcia zewnętrznych poza dławikiem, podczas których składowa zerowa będzie osiągać znaczne wartości.

- Wyraźny wpływ zwarcia międzyzwojowego widoczny jest również w kierunku przepływu składowej zerowej prądu (rys. 5), niemniej zastosowanie w tym przypadku kryterium nadprądowego składowej zerowej prądu z blokadą kierunkową również nie pozwala na wykrywanie zwarcia pojedynczych zwojów. Problemem jest również (poza





Rys. 6. Wartości napięć składowych symetrycznych na szynach stacji dla zwarcia międzyzwojowego w dławiku, w fazie A

wspomnianym wcześniej problemem pomiaru małych prądów) uzyskanie odpowiedniej wartości składowej napięcia do polaryzacji członu kierunkowego zabezpieczenia. Wartości napięć składowej zerowej czy składowej przeciwnej w trakcie zwarcia międzyzwojowych mogą być tu niewystarczające (rys. 6).

Uzyskane wyniki potwierdzają, prezentowany w rekomendacjach CIGRE i IEEE, fakt trudności wykrywania zwarcia zwojowych w dławiku metodami elektrycznymi, tj. wykorzystującymi pomiary prądów i napięć. Żadna ze wskazywanych metod nie jest w stanie wykryć zwarcia na poziomie pojedynczego zwoju. Potencjalnie najlepsza z analizowanych metod – wykorzystująca kryterium nadprądowe z blokadą kierunkową – pozwala na wykrycie zwarcia na poziomie 1% impedancji dławika, co dla stosowanych dławików oznacza ponad 30 zwojów. Dodatkowo rodzaj zastosowanych w analizowanym układzie przekładników prądowych i napięciowych (tj. ich przekładni) oraz ograniczenia nastawień urządzeń EAZ (wynikające np. z rozdzielczości przetworników i dokładności algorytmów obliczeniowo-decyzyjnych) powodują, że w rzeczywistości liczba zwojów niechronionych będzie znacznie większa. Uzyskane rezultaty i negatywna ocena działania zabezpieczeń od zwarcia międzyfazowych znajdują potwierdzenie w światowych publikacjach i rekomendacjach wskazujących, że wykrywanie zwarcia zwojowych jest trudne i często możliwe do realizacji jedynie zabezpieczeniami technologicznymi.

##### 5. Zalecenia nastaw i parametryzacji funkcji zabezpieczeń dławików

Na podstawie wykonanych przez autorów analiz pracy zabezpieczeń dławików, proponowanych dla jednostek o mocy 50 Mvar, a instalowanych w stacji Elk Bis [1], można zauważyć, że dobór nastawień zabezpieczeń dławików, zapewniający wykrywanie wszystkich rodzajów zakłóceń przy jednoczesnej odporności zabezpieczeń na zakłócenia zewnętrzne, nie jest sprawą łatwą i nie da się podać uniwersalnych zasad wyboru rodzajów zabezpieczeń ich nastawiania. Niemniej jednak można sformułować następujące ogólne zalecenia:

- Do ochrony dławika od skutków zwarcia wewnętrznych – zwarcie do kadzi zaleca się stosowanie:
  - zabezpieczenia różnicowego
  - zabezpieczenia różnicowego ziemnozwarciowego
  - zabezpieczenia ziemnozwarciowego kierunkowego (rezerwowo zapewniające częściową ochronę uzwojeń)
  - zabezpieczeń technologicznych – gazowo-przepływowego (Buchholtza) i od wzrostu ciśnienia w kadzi
- Do ochrony dławika od skutków zwarcia wewnętrznych – zwarcie międzyzwojowych zaleca się stosowanie:
  - zabezpieczeń nadprądowych mierzących prądy fazy lub składową zerową prądów fazowych, lub składową przeciwną prądów fazowych, lub prąd doziemny (w przypadku dławików o punkcie naturalnym uziemionym bezpośrednio lub przez dodatkowy dławik). Wymienione zabezpieczenia mogą być realizowane jako kierunkowe, w celu zapewnienia selektywności działania. Wybór rozwiązania musi być każdorazowo poparty badaniami modelowymi, gdyż w zależności od miejsca przyłączenia (warunków sieciowych) część z wymienionych kryteriów będzie nieprzydatna (z powodu zbyt małej czułości)
  - zabezpieczeń technologicznych – gazowo-przepływowego (Buchholtza) i od wzrostu ciśnienia w kadzi
- Do ochrony dławika od skutków zwarcia zewnętrznych (na izolatorach, w torze zasilania dławika) zaleca się stosowanie:
  - zabezpieczenia różnicowego obejmującego izolatory
  - zabezpieczenia nadprądowego dwustopniowego (stopień zwłoczny i bezzwłoczny). Zabezpieczenia te jednocześnie stanowią rezerwę dla jednoczesnego części zwarcia do kadzi ulokowanych bliżej początku uzwojenia (licząc od strony izolatorów WN).

Ponadto można stwierdzić, że:

- dobór nastawień zabezpieczenia różnicowego i zabezpieczeń nadprądowych jest możliwy na podstawie danych znamionowych dławika (moc znamionowa, napięcie znamionowe, prąd znamionowy)

- dobór rodzaju i nastawień zabezpieczeń od zwarcia międzyzwojowych wymaga badań modelowych
- z powodu znacznej reaktancji dławika i stosunkowo niewielkiej rezystancji stała czasowa dławika jest dość duża<sup>2</sup>, co oznacza, że procesy łączeniowe charakteryzują się powolnym zanikaniem stałej składowej. Aby uniknąć zbędnych działań zabezpieczeń (bez wydłużania zwłoki czasowej czy zwiększania nastawienia prądu rozruchowego zabezpieczenia), należy stosować zabezpieczenia bazujące na pomiarze podstawowej (50 Hz) składowej prądu.

##### 6. Podsumowanie

Podsumowując powyższe rozważania, w ogólności należy stwierdzić, że zaproponowana koncepcja automatyki zabezpieczeniowej dławików kompensacyjnych liniowych i szynowych jest właściwa i kompletna. Koncepcja ta równocześnie wpisuje się w trendy i zalecenia światowe.

Selektywność działania automatyki zabezpieczeniowej dławików kompensacyjnych jest uzależniona od wielu czynników, a w tym od:

- parametrów obiektów (dławików) oraz parametrów i konfiguracji sieci przylegającej do analizowanych obiektów
- lokalizacji i przekładni znamionowej przekładników zabezpieczeniowych, prądowych i napięciowych
- rodzaju stosowanych przekładników zabezpieczeniowych, w sensie zakresów nastawczych wielkości kryterialnych
- przewidywanej koncepcji lub wymagań dotyczących sposobu eliminacji zaburzeń w pracy w przylegających elementach sieci, np. wymagań co do sposobu eliminacji zwarcia w liniach elektroenergetycznych i stosowania SPZ 1- lub 3-fazowego.

Należy podkreślić, co równocześnie wynika z rozważań przedstawionych powyżej, że złożoność zjawisk oraz liczba czynników wpływających na efektywność i pewność działania automatyki zabezpieczeniowej dławików prowadzi do wniosku, iż analiza tego typu powinna mieć charakter analizy przypadku i tym samym powinna być prowadzona niezależnie dla każdego obiektu tego typu.

##### Bibliografia

- Lubośny Z., Klucznik J., Dobrzyński K., Analiza techniczna pracy dławików kompensacyjnych projektowanej stacji 400/110 kV Elk Bis, raport dla Elfeko SA, Gdańsk 2013.
- CIGRE Working Group B5.37, Protection, Monitoring and Control of Shunt Reactors, 2013.
- IEEE Power Engineering Society, IEEE Guide for the Protection of Shunt Reactors, 2007.
- Basha F.K., Thompson M., Practical EHV Reactor Protection, 68<sup>th</sup> Conference for Protective Relay Engineers, Texas A&M University, USA 2013.
- Gajic Z., Hillström B., Mekić F., HV Shunt Reactor Secrets for Protection Engineers,

<sup>2</sup> Dla analizowanych dławików stała czasowa jest równa ok. 1,1 s.

- 30<sup>th</sup> Western Protective Relaying Conference, Washington, USA 2003.
6. Zasady doboru i nastawiania zabezpieczeń elementów systemu elektroenergetycznego wysokiego napięcia, red. Jan Machowski, Biblioteka Operatora Systemu Przesyłowego, Warszawa 2010.
7. Klucznik J. i in., Nonlinear secondary arc model use for evaluation of single pole auto-reclosing effectiveness, COMPEL 2015, vol. 34, No. 3.

**Zbigniew Lubośny**

prof. dr hab. inż.

Politechnika Gdańska

e-mail: z.lubosny@ely.pg.gda.pl

Wychowanek Politechniki Gdańskiej. Od 2004 roku jest profesorem nauk technicznych. Obecnie zatrudniony na swojej macierzystej uczelni na stanowisku profesora nadzwyczajnego. Obszar zainteresowań to: modelowanie matematyczne, stabilność systemu elektroenergetycznego, sterowanie systemem elektroenergetycznym, zastosowanie sztucznej inteligencji do sterowania systemem elektroenergetycznym, modelowanie i sterowanie elektrowniami wiatrowymi.

**Jacek Klucznik**

dr inż.

Politechnika Gdańska

e-mail: j.klucznik@eia.pg.gda.pl

Studia magisterskie ukończył na Wydziale Elektrotechniki i Automatyki Politechniki Gdańskiej (1999). Pięć lat później uzyskał tytuł doktorski. Pracuje jako adiunkt w Katedrze Elektroenergetyki swojej macierzystej uczelni. Zajmuje się układami regulacji generatorów i turbin, energetyką wiatrową oraz elektroenergetyczną automatyką zabezpieczeniową.

**Krzysztof Dobrzyński**

dr inż.

Politechnika Gdańska

e-mail: k.dobrzynski@eia.pg.gda.pl

Ukończył studia na Wydziale Elektrycznym Politechniki Warszawskiej w 1999 roku. W 2012 roku uzyskał tytuł doktorski na Wydziale Elektrotechniki i Automatyki Politechniki Gdańskiej. Pracuje jako adiunkt w Katedrze Elektroenergetyki Politechniki Gdańskiej. Obszar zainteresowań to współpraca źródeł generacji rozproszonej z systemem elektroenergetycznym, modelowanie matematyczne, sterowanie systemem elektroenergetycznym, instalacje inteligentne w budynkach.